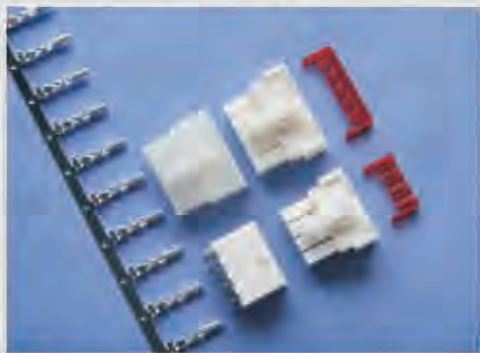


# B420001

# 5557



- ▶ 主要技术特性 (Main Specifications)
- ▶ 适用导线规格 (Applicable wire) : AWG24#~18#
- ▶ 适用基板厚度 (Applicable PC board thickness) : 1.2mm~1.6mm
- ▶ 温度范围 (Temperature range) : -25°C~+85°C
- ▶ 额定电压 (Voltage rating) : 250V AC, DC
- ▶ 额定电流 (Current rating) : 5A AC, DC
- ▶ 接触电阻 (Contact resistance) :  $\leq 0.02\Omega$
- ▶ 绝缘电阻 (Insulation resistance) :  $\geq 1000M\Omega$
- ▶ 耐压 (Withstanding voltage) : 1500V AC/minute

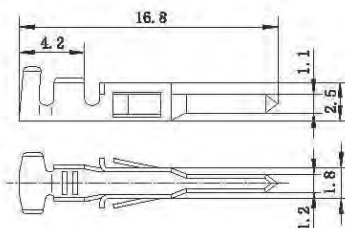
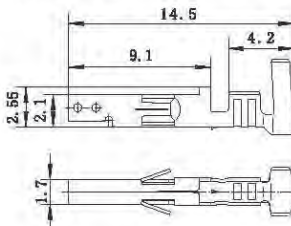
### 材料及电镀规格 Material and Finish

型号 Type	材料 Material	材料厚度 Material Thickness	电镀规格 Finish
插座 WAFER	塑胶 HOUSING	PA66 UL94V-0	N/A
	针PIN	黄铜 Brass	镀锡 Tin-plated
孔座 HOUSING	PA66 UL94V-0	—	N/A
端子 TERMINAL	锡青铜 Phosphor bronze	0.2mm/0.22mm	镀锡 Tin-plated

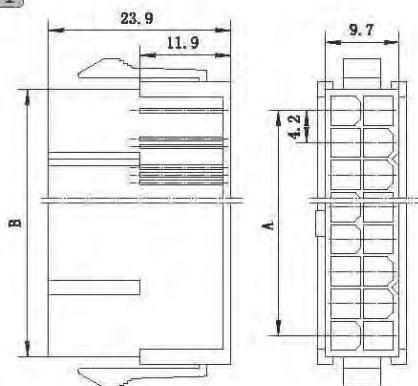
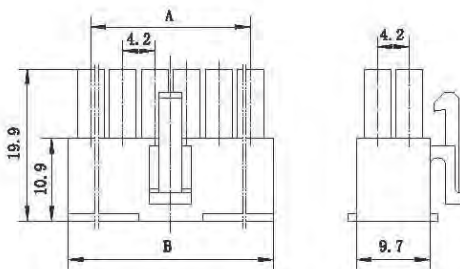
### 产品尺寸图 Product size chart

 单位: mm 一般公差:  $\pm 0.20$ 

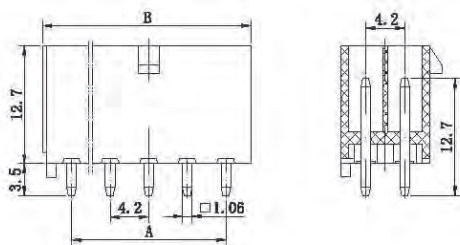
### TERMINAL

**B420001-3 5557-A**

**B420001-4 5556-Y**


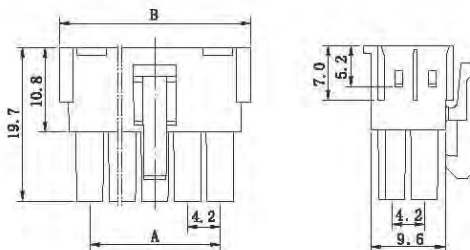
### HOUSING

**B420001-1**

**B420001-2**


### WAFER

**B420001-1A**


### HOUSING

**B420001-2B**


# B420001

# 5557

## HOUSING

极数 Circuits	型号 Type	尺寸(Dimensions)mm		备注型号 P. S. Type
		A	B	
2	B420001-1-02	4.2	9.8	5557-02R
3	B420001-1-03	8.4	14.0	5557-03R
4	B420001-1-04	4.2	9.8	5557-04R
6	B420001-1-06	8.4	14.0	5557-06R
8	B420001-1-08	12.6	18.2	5557-08R
10	B420001-1-10	16.8	22.4	5557-10R
12	B420001-1-12	21.0	26.6	5557-12R
14	B420001-1-14	25.2	30.8	5557-14R
16	B420001-1-16	29.4	35.0	5557-16R
18	B420001-1-18	33.6	39.2	5557-18R
20	B420001-1-20	37.8	43.4	5557-20R

极数 Circuits	型号 Type	尺寸(Dimensions)mm		备注型号 P. S. Type
		A	B	
2	B420001-2-02	4.2	9.8	5557-02P
3	B420001-2-03	8.4	14.0	5557-03P
4	B420001-2-04	4.2	9.8	5557-04P
6	B420001-2-06	8.4	14.0	5557-06P
8	B420001-2-08	12.6	18.2	5557-08P
10	B420001-2-10	16.8	22.4	5557-10P
12	B420001-2-12	21.0	26.6	5557-12P
14	B420001-2-14	25.2	30.8	5557-14P
16	B420001-2-16	29.4	35.0	5557-16P
18	B420001-2-18	33.6	39.2	5557-18P
20	B420001-2-20	37.8	43.4	5557-20P

## WAFER

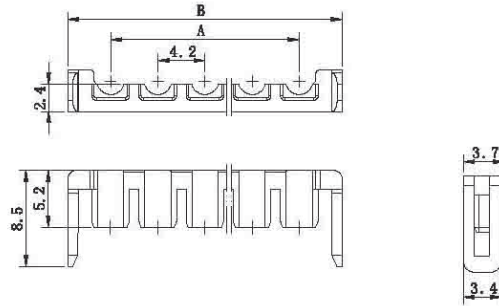
极数 Circuits	型号 Type	尺寸(Dimensions)mm		备注型号 P. S. Type
		A	B	
4	B420001-1A-04	4.2	9.7	5557-04A
6	B420001-1A-06	8.4	13.9	5557-06A
8	B420001-1A-08	12.6	18.1	5557-08A
10	B420001-1A-10	16.8	22.3	5557-10A
12	B420001-1A-12	21.0	26.5	5557-12A
14	B420001-1A-14	25.2	30.7	5557-14A
16	B420001-1A-16	29.4	34.9	5557-16A
18	B420001-1A-18	33.6	39.1	5557-18A
20	B420001-1A-20	37.8	43.3	5557-20A

## HOUSING

极数 Circuits	型号 Type	尺寸(Dimensions)mm		备注型号 P. S. Type
		A	B	
4	B420001-2B-04	4.2	12.1	5557-04PB
6	B420001-2B-06	8.4	16.3	5557-06PB
8	B420001-2B-08	12.6	20.5	5557-08PB
10	B420001-2B-10	16.8	24.7	5557-10PB
12	B420001-2B-12	21.0	28.9	5557-12PB
14	B420001-2B-14	25.2	33.1	5557-14PB
16	B420001-2B-16	29.4	37.3	5557-16PB
18	B420001-2B-18	33.6	41.5	5557-18PB
20	B420001-2B-20	37.8	45.7	5557-20PB

## HOUSING

B420001-5



## HOUSING

极数 Circuits	型号 Type	尺寸(Dimensions)mm		备注型号 P. S. Type
		A	B	
2	B420001-5-02	4.2	11.8	5557-02RST
3	B420001-5-03	8.4	16.0	5557-03RST
4	B420001-5-04	12.6	20.2	5557-04RST
5	B420001-5-05	16.8	24.4	5557-05RST
6	B420001-5-06	21.0	28.6	5557-06RST
7	B420001-5-07	25.2	32.8	5557-07RST
8	B420001-5-08	29.4	37.0	5557-08RST
9	B420001-5-09	33.6	41.2	5557-09RST
10	B420001-5-10	37.8	45.4	5557-10RST